

CRAFTLINE

Cabinetry

QUALITY • VALUE • STYLE

Craftline Drawer Box Assembly

Drawer Box Components List

F – DRAWER BOX BACK

G – DRAWER BOX SIDES (X2)

H – DRAWER BOX BOTTOM

J – DRAWER HEAD

Drawer Hardware Items List

BALL BEARING SIDE MOUNT SLIDE (2)

1/2" FLAT HEAD SCREW (8)

1" FLAT HEAD SCREW (6)

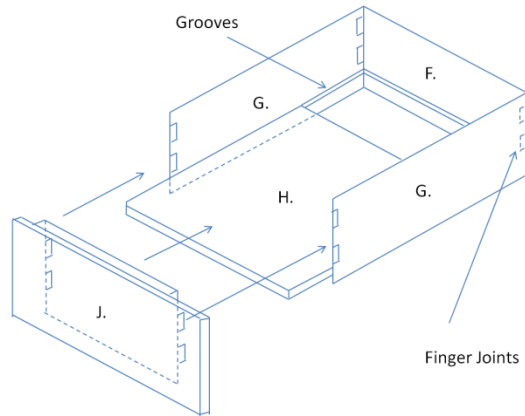
SLIDE MOUNT WALL BRACKET (2)

DRAWER BOX CLIP (2)



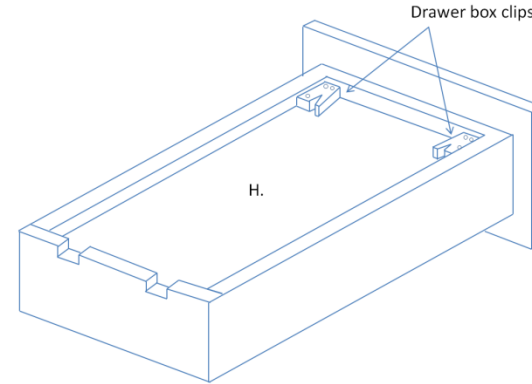
STEP 1

Attach drawer box sides to the drawer box back connecting at the finger joints.
Slide the drawer box bottom into grooves along drawer sides.
Attach drawer head to drawer sides connecting at the finger joints.



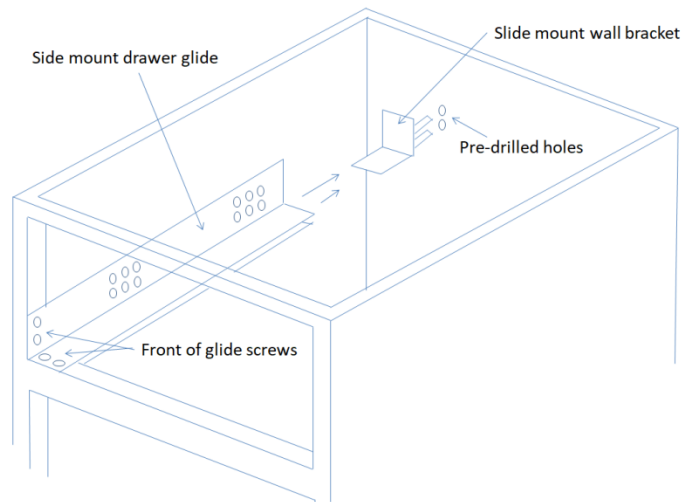
STEP 2

Flip drawer box over and attach drawer box clips to the front corners of the box with (6) 1" flat head screws.



STEP 3

Install (2) side mount glides by placing (2) slide mount wall brackets in pre-drilled hole locations on back panel. Then slide the metal glides onto the brackets. Once aligned with the front face frame, attach front of glides with (8) ½" flat head screws.



STEP 4

Flip drawer box right side up and slide onto extended side mount drawer glides.
Push drawer box in till you hear a click.

