

CRAFTLINE

Cabinetry

QUALITY • VALUE • STYLE









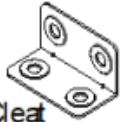
Craftline Base Cabinet Assembly

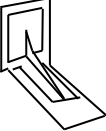

Tools to Assist

- Rubber Mallet
- Wood Glue
- Drill
- Clamps

Hardware Parts List

- Cleats (Beige L-Shape Bracket) x 10
- Door Hinges x 2
- Shelf Clips (Silver) x 2
- Slide Mount Wall Brackets (Black) x 2
- Ball Bearing Side Mount Drawer Glides x 2
- ½ inch flat head screws x 50
- 5/8 inch flat head screws x 6
- ¾ inch flat head screws x 2
- 1 inch flat head screws x 6
- Drawer box clips x 2
- Bumper pads x 6

1 1/4" SOFTCLOSE HINGE	2	 1 1/4" Hinge
1/2" FLAT HEAD SCREW(FOR METAL CLIP AND REAR BRACKET OF DRAWER SLIDE)	50	
BUMPER	6	 Bumper
5/8" FLAT HEAD SCREW (HINGE ON DOOR)	6	
3/4" ROUND HEAD SCREW(HINGE ON FACE FRAME)	2	
BALL-BEARING SIDE MOUNT SLIDE	1	
SHELF CLIP	4	 Shelf clip
1" FLAT HEAD SCREW FOR DF AND FRONTDRAWER BOX	6	
METAL CLIP	10	 Cleat

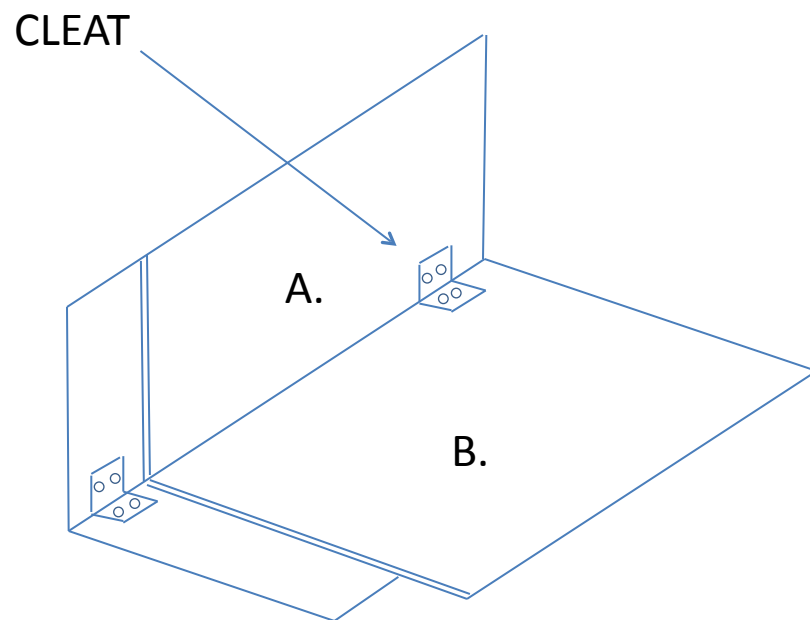
SLIDE MOUNT WALL BRACKET	2	
DRAWER BOX CLIP	2	

Cabinet Box Components List

- A – BACK PANEL
- B – SIDE PANELS (X2)
- C – BOTTOM PANEL
- D – TOE KICK PANEL
- E – FACE FRAME
- F – DRAWER BOX BACK
- G – DRAWER BOX SIDES (X2)
- H – DRAWER BOX BOTTOM
- I – ADJUSTABLE SHELF
- J – DRAWER HEAD
- K – CABINET DOOR

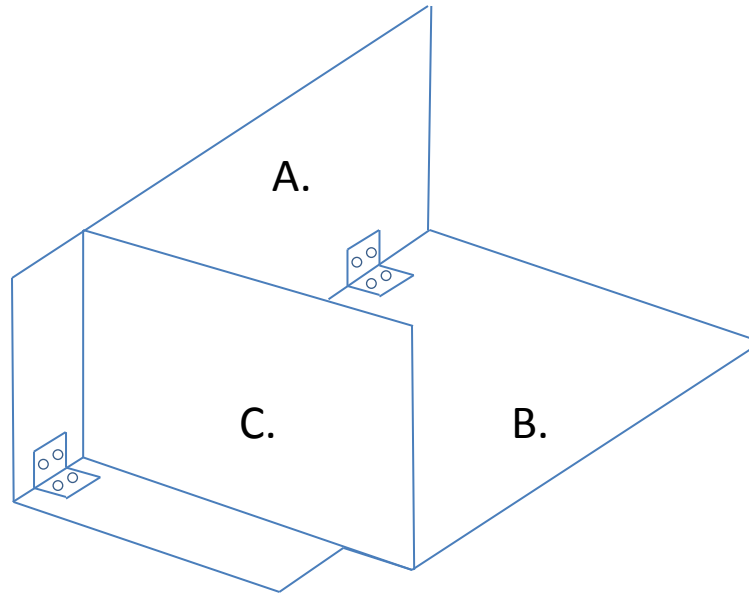
STEP 1

Join side panel with back panel using 2 metal cleats and (8) ½" flat head screws.



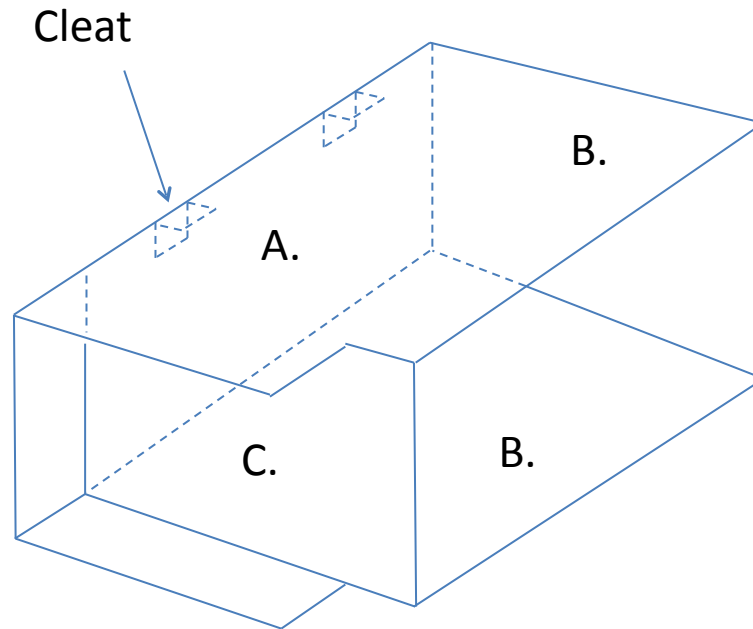
STEP 2

Join bottom panel with side panel by sliding into grooves along side panel and back panel.



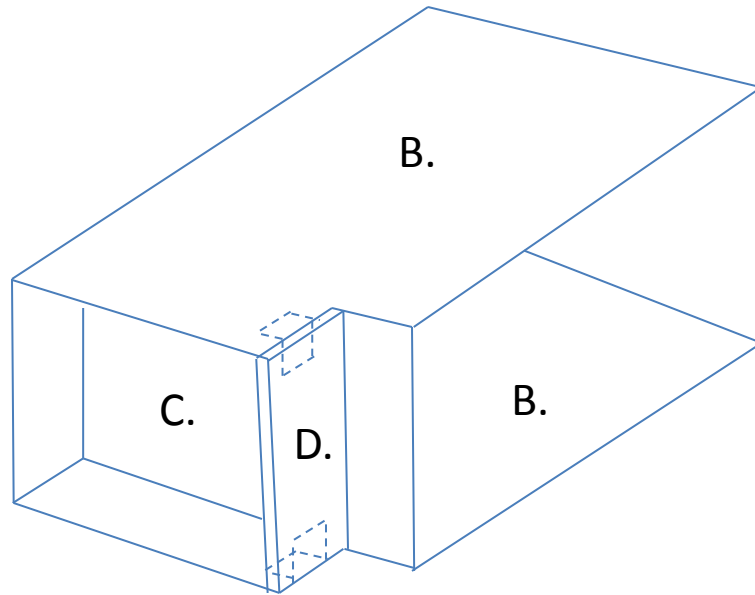
STEP 3

Join remaining side panel with bottom and back panel using 2 metal cleats and (8) ½" flat head screws.



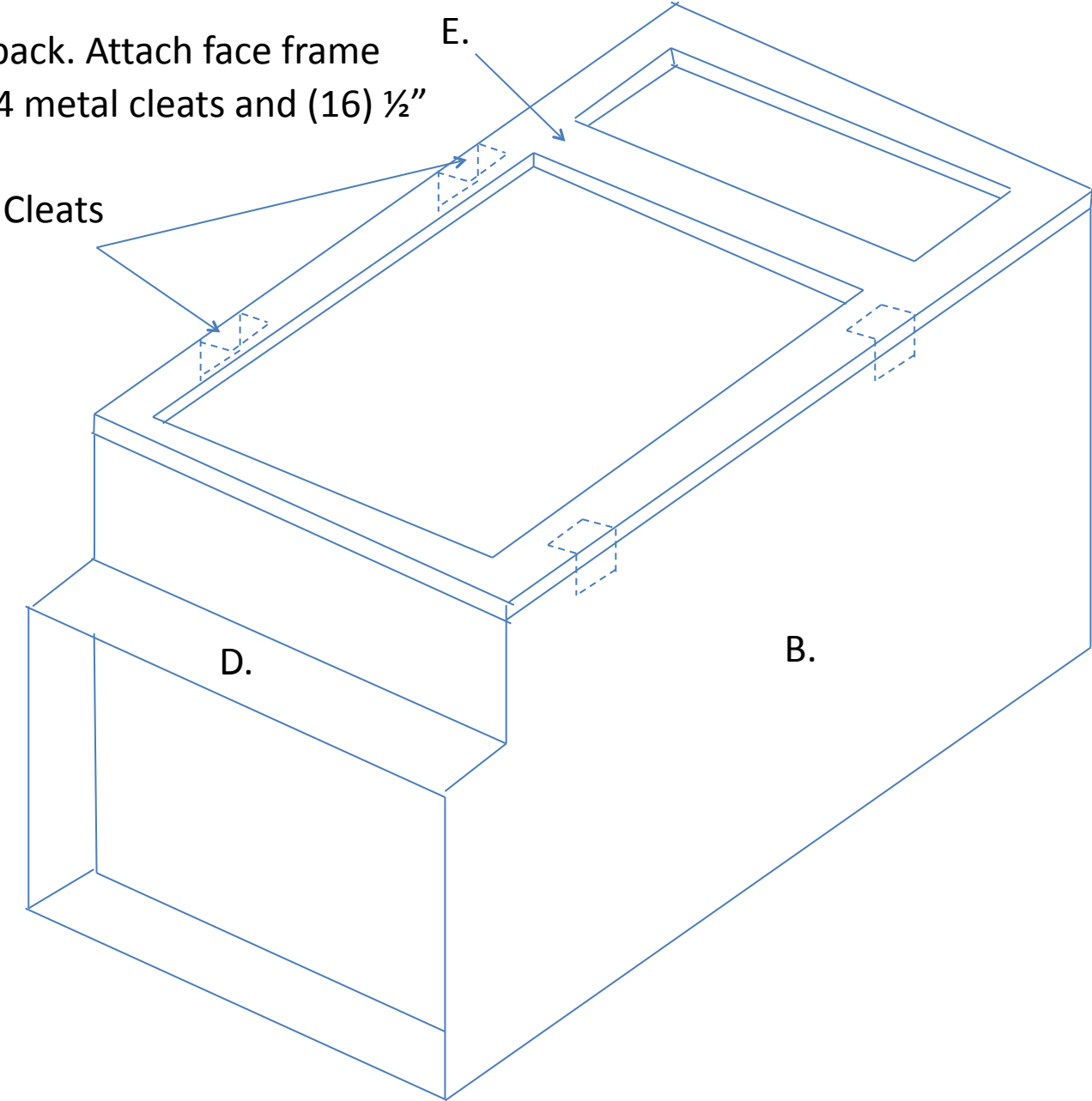
STEP 4

Attach toe kick panel to both side panels using 2 metal cleats and (8) ½" flat head screws.



STEP 5

Place cabinet on its back. Attach face frame to side panels using 4 metal cleats and (16) ½” flat head screws.

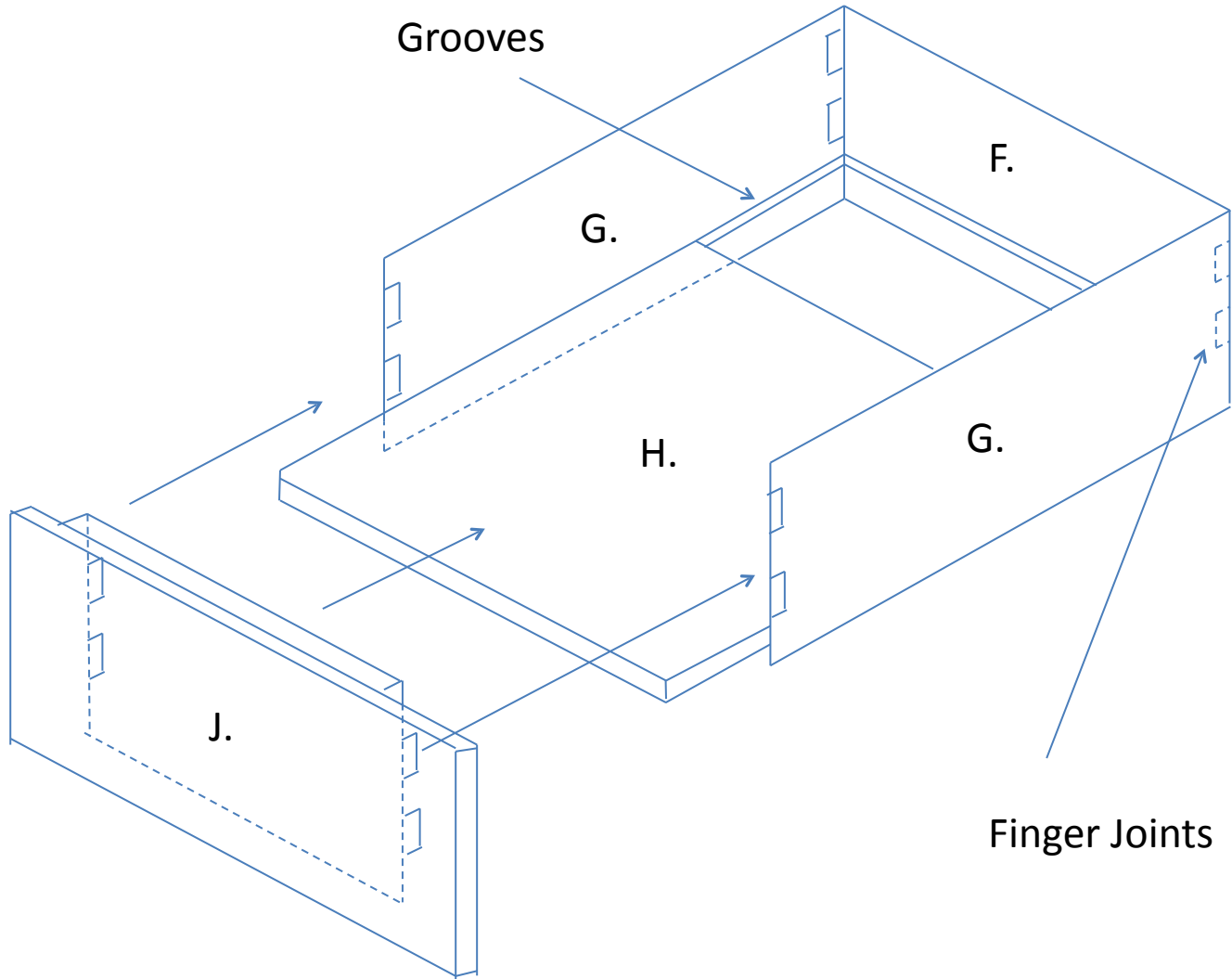


STEP 6

Attach drawer box sides to the drawer box back connecting at the finger joints.

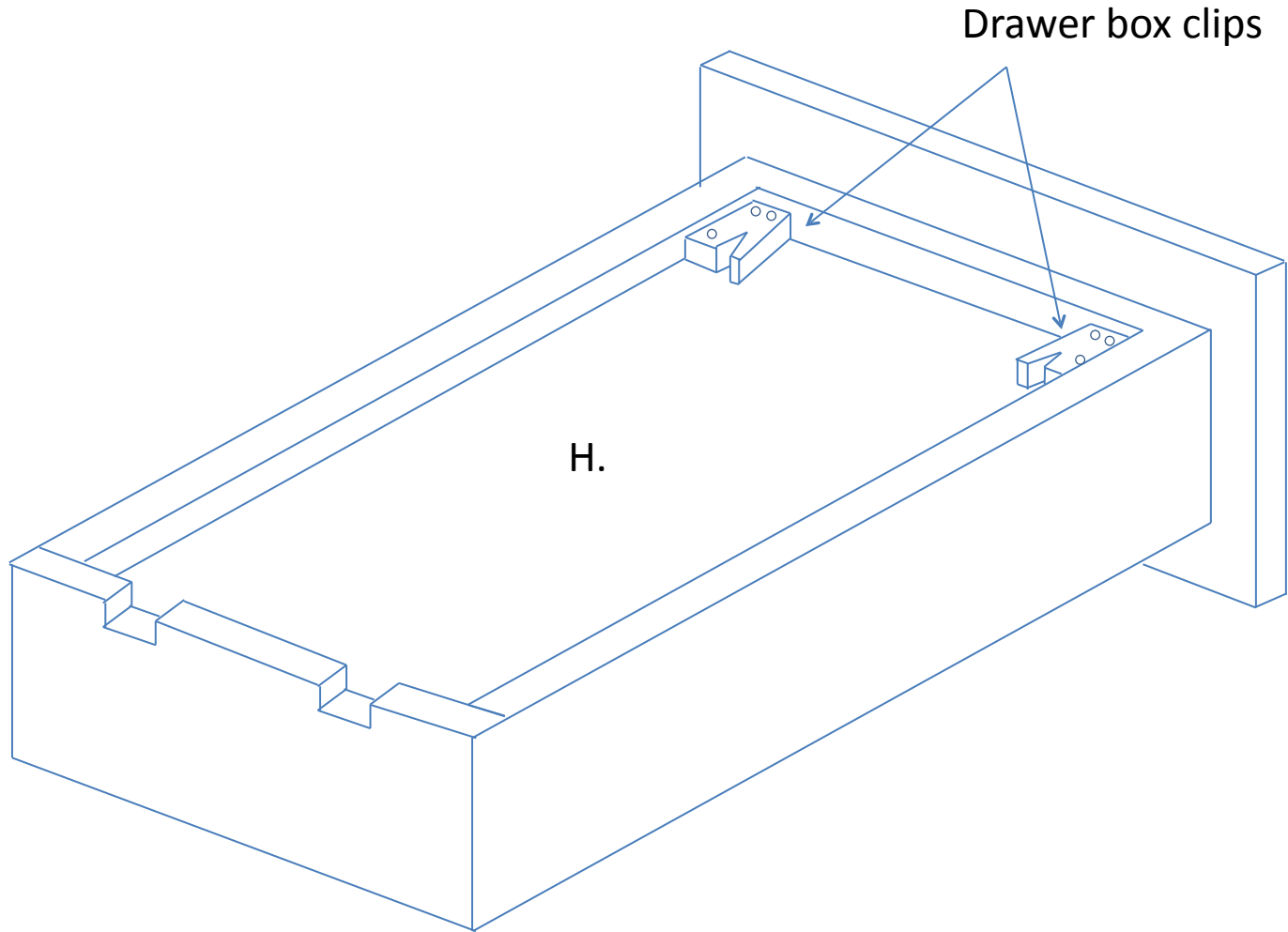
Slide the drawer box bottom into grooves along drawer sides.

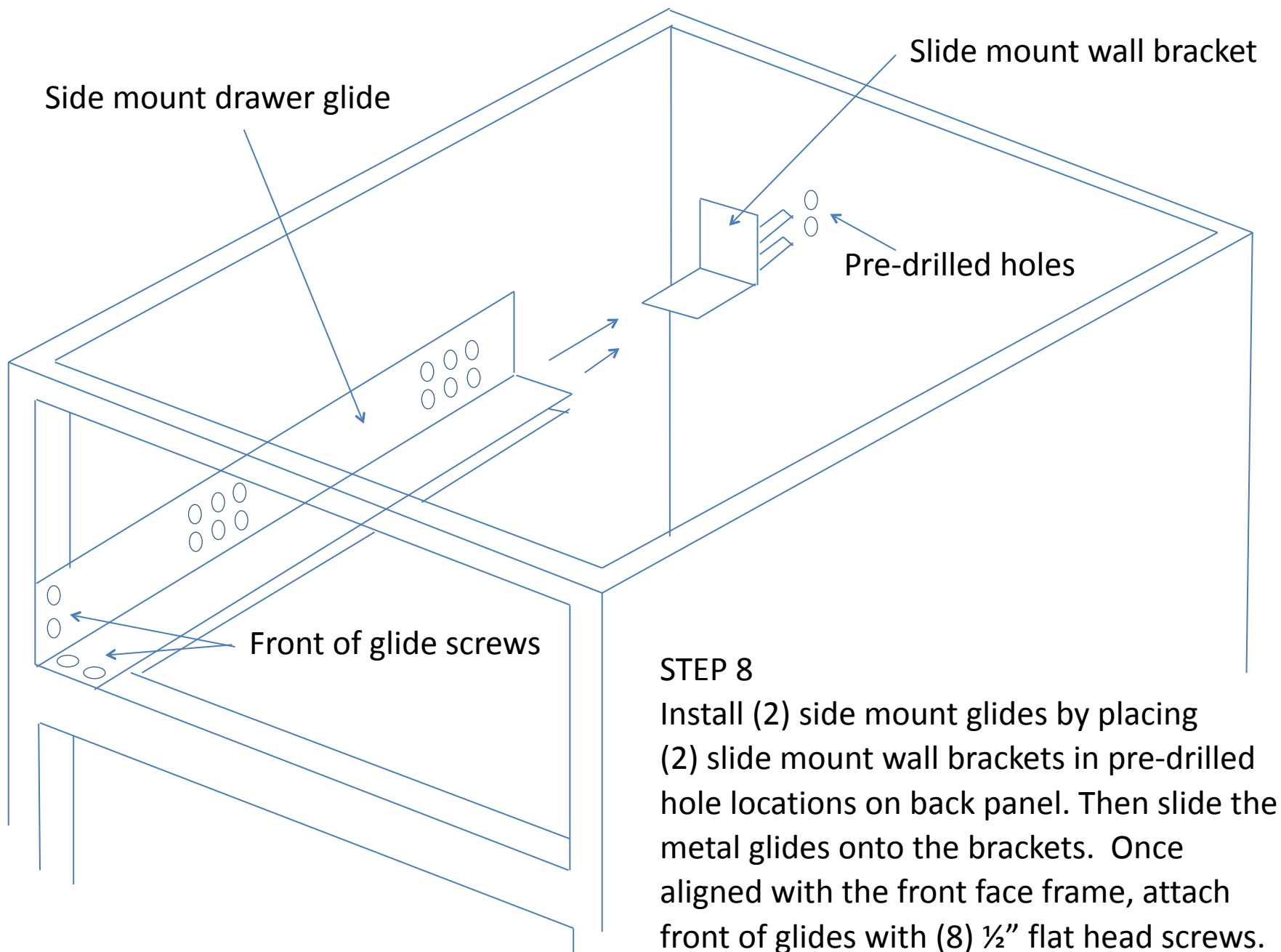
Attach drawer head to drawer sides connecting at the finger joints.



STEP 7

Flip drawer box over and attach drawer box clips to the front corners of the box with (6) 1" flat head screws.



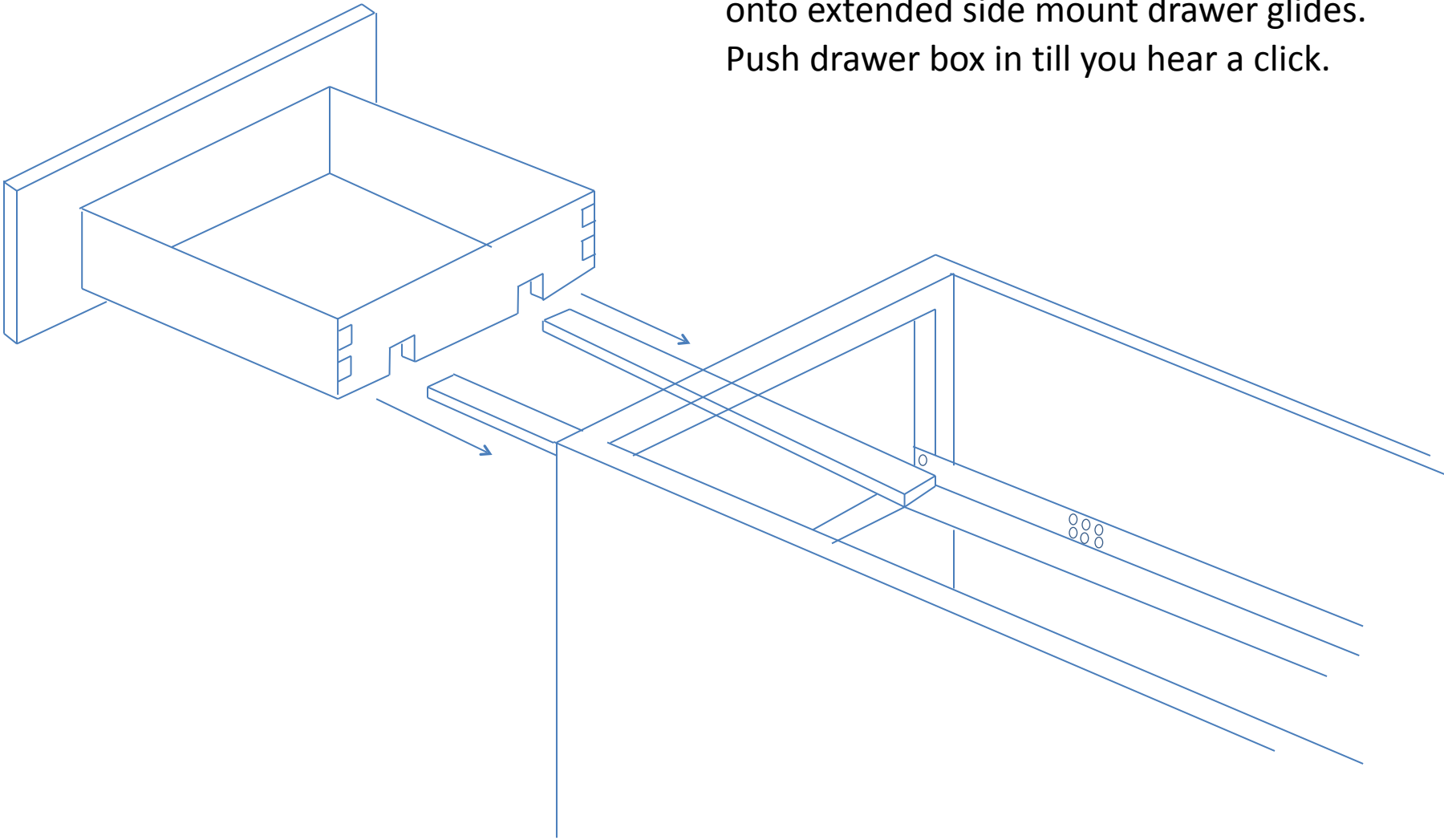


STEP 8

Install (2) side mount glides by placing (2) slide mount wall brackets in pre-drilled hole locations on back panel. Then slide the metal glides onto the brackets. Once aligned with the front face frame, attach front of glides with (8) ½" flat head screws.

STEP 9

Flip drawer box right side up and slide onto extended side mount drawer glides. Push drawer box in till you hear a click.



STEP 10

Attach the door to the cabinet face frame.

First attach (2) soft close hinges to door with

(4) 5/8" flat head screws.

Then attach hinges
To the face frame with (2) 3/4" round head screws.

